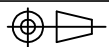


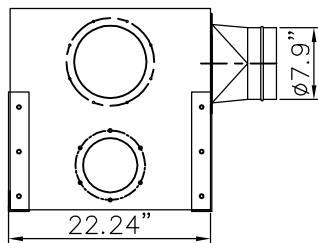
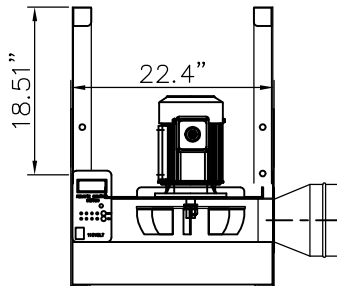
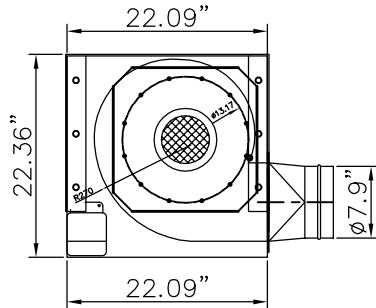
DO NOT SCALE

IF IN DOUBT ASK



Revisions

Rev	Description	Date	Approved
-----	-------------	------	----------



- SBU-2 SPECIFICATION -

- Direct Drive Blower
- Motor: 2HP x 1 pc
- CFM: 1,618 ft³/min
- Arm Port Size: dia. 6" x 1 hole
dia. 8" x 1 hole
- Construction: 14 Gauge Steel Cabinet
- Packing Size (L x W x H): 25.2" x 23.1" x 23.3"
- N.W.: 143.4 lbs
- G.W.: 146.2 lbs

Include:

- control panel
- remote control
- standard wall-mounting brackets

OPTIONS

***optional ceiling-mounting brackets

AVANI ENVIRONMENTAL INTL. INC. Sales Department
 95 Cypress Drive (919) 570-2862
 Youngsville, NC 27596 info@avanienvironmental.com

	Date	Name	Part Number:	Title:	
Drawn by:	2010-05-25	***	DBB-2	Blower SBU-2	
Checked by:				Size	Scale
The drawings, AutoCAD, 3-D Models, and specifications are the property of Avani Environmental Intl. Inc. (AE) and may not be reproduced, distributed, modified, or otherwise used, except provided herein, without the express written permission of AE.				A	1 = 1
				Drawing Number:	DBB-2